

Crystal

По вопросам продаж и поддержки обращайтесь:

Алматы (7273)495-231	Казань (843)206-01-48	Новокузнецк (3843)20-46-81	Смоленск (4812)29-41-54
Архангельск (8182)63-90-72	Калининград (4012)72-03-81	Новосибирск (383)227-86-73	Сочи (862)225-72-31
Астрахань (8512)99-46-04	Калуга (4842)92-23-67	Омск (3812)21-46-40	Ставрополь (8652)20-65-13
Барнаул (3852)73-04-60	Кемерово (3842)65-04-62	Орел (4862)44-53-42	Сургут (3462)77-98-35
Белгород (4722)40-23-64	Киров (8332)68-02-04	Оренбург (3532)37-68-04	Тверь (4822)63-31-35
Брянск (4832)59-03-52	Краснодар (861)203-40-90	Пенза (8412)22-31-16	Томск (3822)98-41-53
Владивосток (423)249-28-31	Красноярск (391)204-63-61	Пермь (342)205-81-47	Тула (4872)74-02-29
Волгоград (844)278-03-48	Курск (4712)77-13-04	Ростов-на-Дону (863)308-18-15	Тюмень (3452)66-21-18
Вологда (8172)26-41-59	Липецк (4742)52-20-81	Рязань (4912)46-61-64	Ульяновск (8422)24-23-59
Воронеж (473)204-51-73	Магнитогорск (3519)55-03-13	Самара (846)206-03-16	Уфа (347)229-48-12
Екатеринбург (343)384-55-89	Москва (495)268-04-70	Санкт-Петербург (812)309-46-40	Хабаровск (4212)92-98-04
Иваново (4932)77-34-06	Мурманск (8152)59-64-93	Саратов (845)249-38-78	Челябинск (351)202-03-61
Ижевск (3412)26-03-58	Набережные Челны (8552)20-53-41	Севастополь (8692)22-31-93	Череповец (8202)49-02-64
Иркутск (395)279-98-46	Нижний Новгород (831)429-08-12	Симферополь (3652)67-13-56	Ярославль (4852)69-52-93
Россия (495)268-04-70	Киргизия (996)312-96-26-47	Казахстан (7172)727-132	

Shop Concept





SHOP CONCEPT

Ice Cream Shop design is a creative work that incorporates several different elements of interior decoration, industrial design, graphic design, ergonomics and advertising.

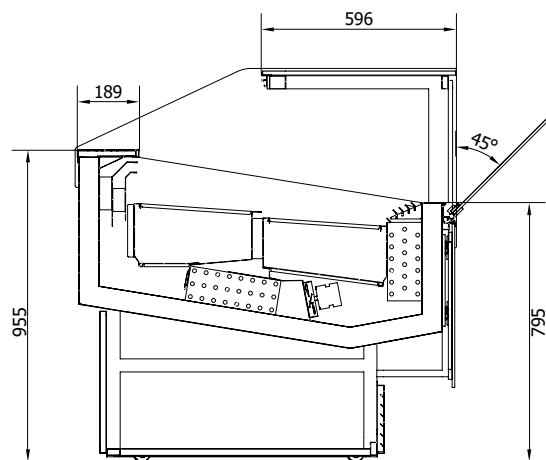
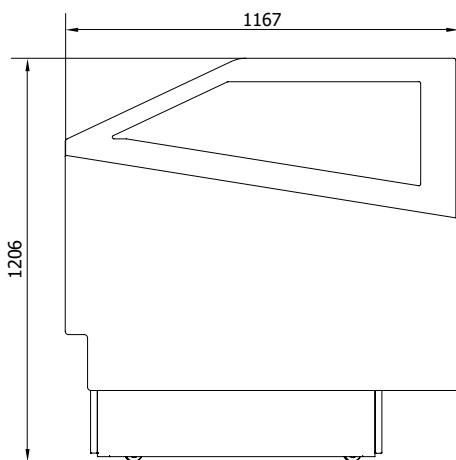
Shop Concept has become an important aspect for any retail company because it can make a big difference when it comes to efficiency and profits. This product will bring connotations like sweetness, summer and childhood into your mind.

Crystal proudly presents its full coverage over turnkey ice cream shop concepts. With only the given dimensions of a store, our experienced team can study your needs, your required ice cream menus and offer the design and equipment accordingly. Our turnkey project options includes:

- Design | Architecture designs and alternatives
- Equip | All manufactured and guaranteed by Crystal
- Install | Ship and install the whole concept
- Operate | Operation of the whole ice cream shop
- Train | Training from our experienced gelato chefs
- Recipes | Most popular recipes from our gelato chefs
- Ingredient | Introduce and link to a variety of choices
- Promote | Assistance in promoting the concept and business

Aura Series

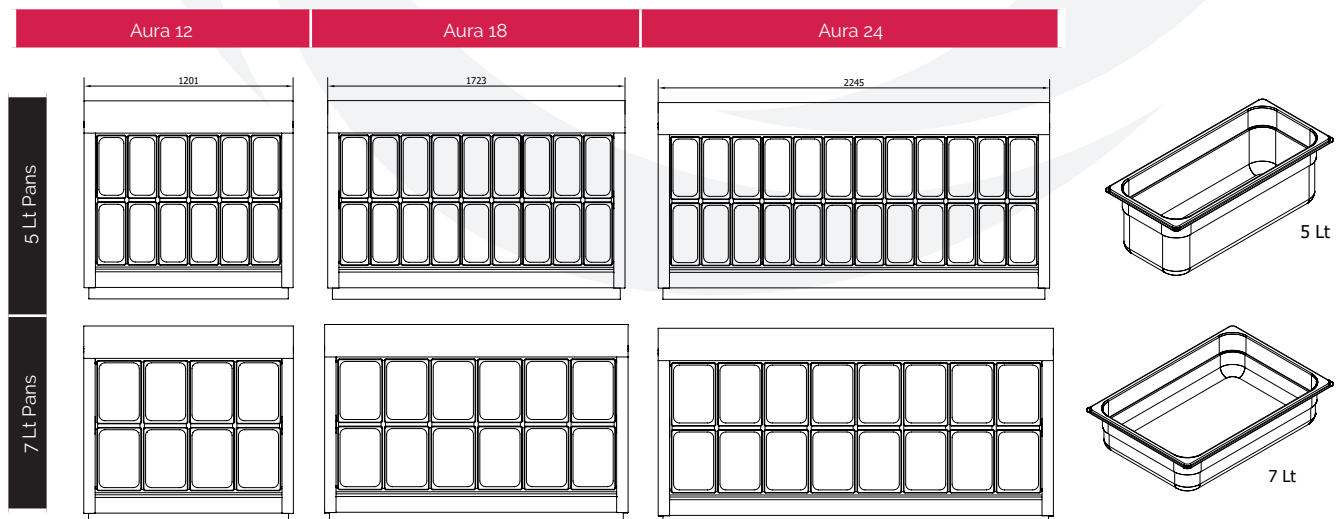
Aura 12 | Aura 18 | Aura 24



- Double evaporator and semi-hermetic compressor
- Automatic defrosting feature
- One-piece structure with ecological polyurethane insulation (HCFC & HFC free) with 60 mm thickness and 43 Kg/m³
- Electronic control board and digital thermometer
- Double laminated glass with built-in resistance for high humidity condensation
- Tilt-down front access with glazed glass up to 45° angle for easy routine maintenance and cleaning procedure
- Energy efficiency with sliding plexiglas doors
- Interior and exterior LED illuminations
- Special components' drawer design for easy access and maintenance

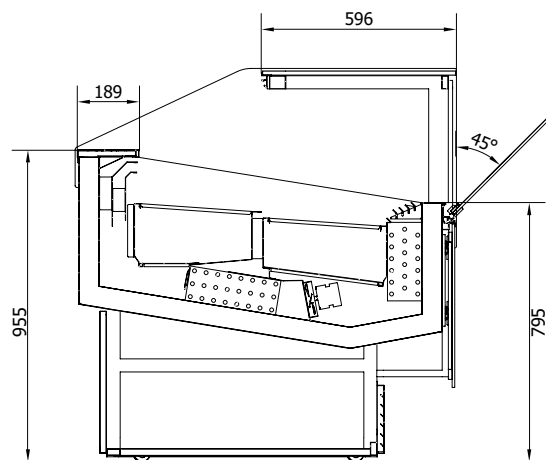
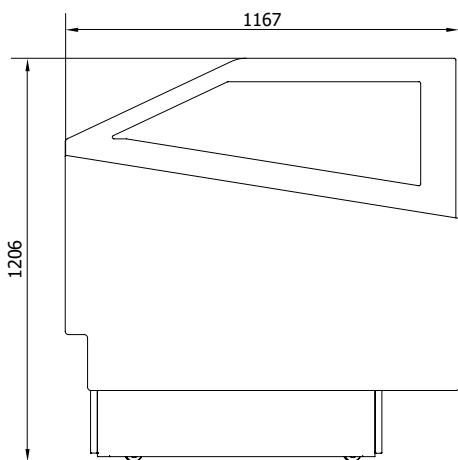
Features	Aura 12	Aura 18	Aura 24
Dimension mm	1201 x 1167 x 1206	1723 x 1167 x 1206	2245 x 1167 x 1206
Pan Capacity Lt	12 x 5 lt - 8 x 7 lt	18 x 5 lt - 12 x 7 lt	24 x 5 lt - 16 x 7 lt
Power Consumption (Standard) W	1850 W	2400 W	3300 W
Power Consumption (Defrost) W	2200 W	2800 W	5300 W
Refrigerant	R404a / R449a	R404a / R449a	R404a / R449a
Operation Temperature °C	-2 / -22 °C	-2 / -22 °C	-2 / -22 °C
Power Supply	400 V / 3 Ph / 50 Hz	400 V / 3 Ph / 50 Hz	400 V / 3 Ph / 50 Hz
Compressor Type	Semi-hermetic	Semi-hermetic	Semi-hermetic
Defrost	Automatic + Manual	Automatic + Manual	Automatic + Manual
Defrost Type	Hot Gas	Hot Gas	Hot Gas

- Available for cake display
- Cooling capacity is dependent on the ambient conditions
- Crystal is entitled to modify all parts without notice anytime if necessary



Aura EC^U Series

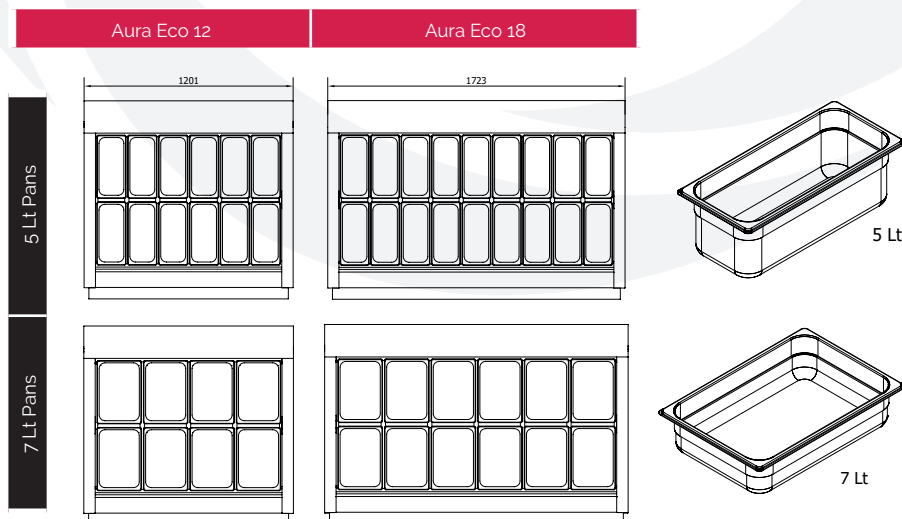
Aura Eco 12 | Aura Eco 18



- Gelato showcase with double evaporator and ventilation available in 2 capacities
- Smooth and silent operation with low energy consumption hermetic compressor
- One-piece structure with ecological polyurethane insulation (HCFC & HFC free) with 60 mm thickness and 43 Kg/m³
- Electronic control board and digital thermometer
- Double laminated glass with built-in resistance for high humidity condensation
- Tilt-down front access with glazed glass up to 45° angle for easy routine maintenance and cleaning procedure
- Energy efficiency with sliding plexiglas doors
- Interior and exterior LED illuminations
- Special components' drawer design for easy access and maintenance

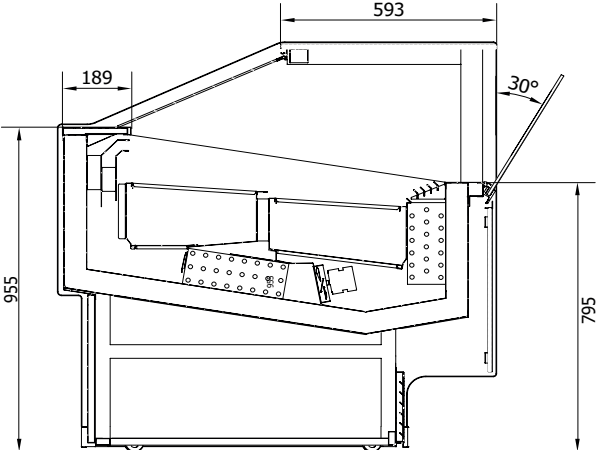
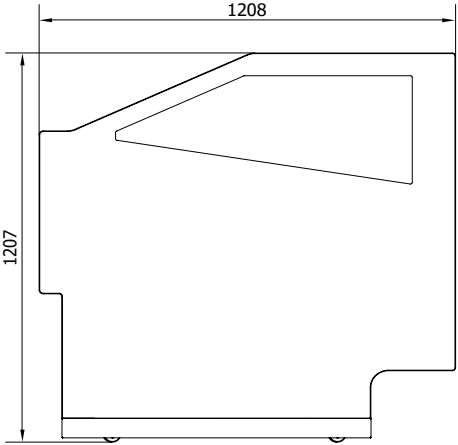
Features	Aura Eco 12	Aura Eco 18
Dimension mm	1201 x 1167 x 1206	1723 x 1167 x 1206
Pan Capacity Lt	12 x 5 lt - 8 x 7 lt	18 x 5 lt - 12 x 7 lt
Power Consumption (Standard) W	1800 W	2200 W
Refrigerant	R404a / R452a	R404a / R452a
Operation Temperature °C	-2 / -22 °C	-2 / -22 °C
Power Supply	220 V / 1 Ph / 50 Hz	220 V / 1 Ph / 50 Hz
Compressor Type	Hermetic	Hermetic

- Available for cake display
- Cooling capacity is dependent on the ambient conditions
- Crystal is entitled to modify all parts without notice anytime if necessary



Nirvana Series

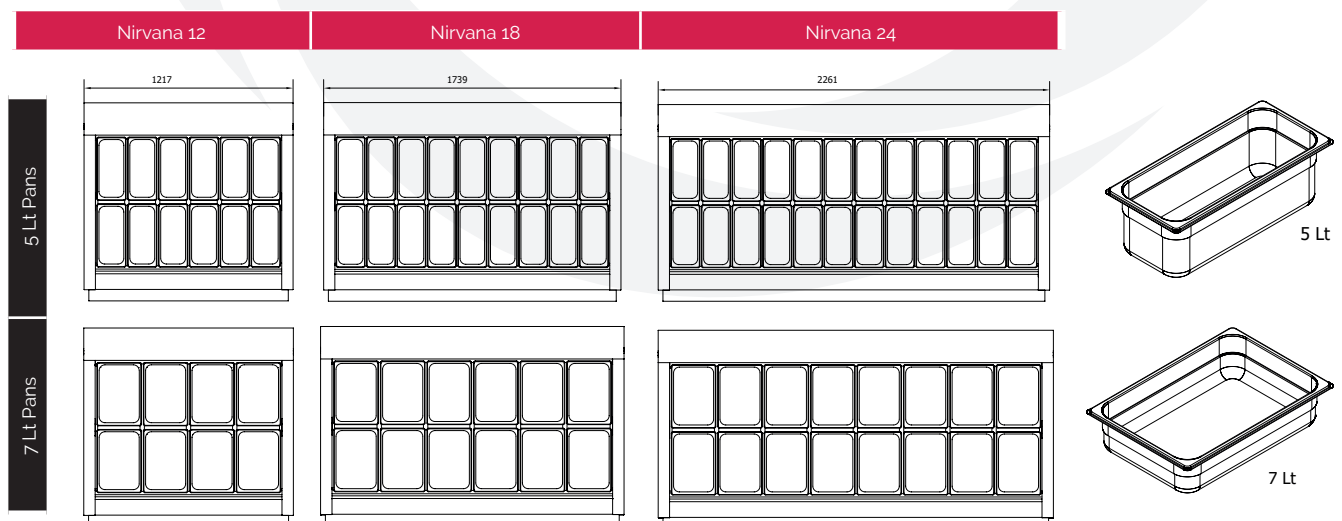
Nirvana 12 | Nirvana 18 | Nirvana 24



- Gelato showcase with double ventilation and all sides glass design available in 3 capacities
- Double evaporator and semi-hermetic compressor
- Automatic defrosting feature
- One-piece structure with ecological polyurethane insulation (HCFC & HFC free) with 60 mm thickness and 43 Kg/m³
- Electronic control board and digital thermometer
- Double laminated glass with built-in resistance for high humidity condensation
- Tilt-down front access with glazed glass up to 30° angle for easy routine maintenance and cleaning procedure
- Energy efficiency with sliding plexiglas doors
- Interior and exterior LED illuminations
- Special components' drawer design for easy access and maintenance

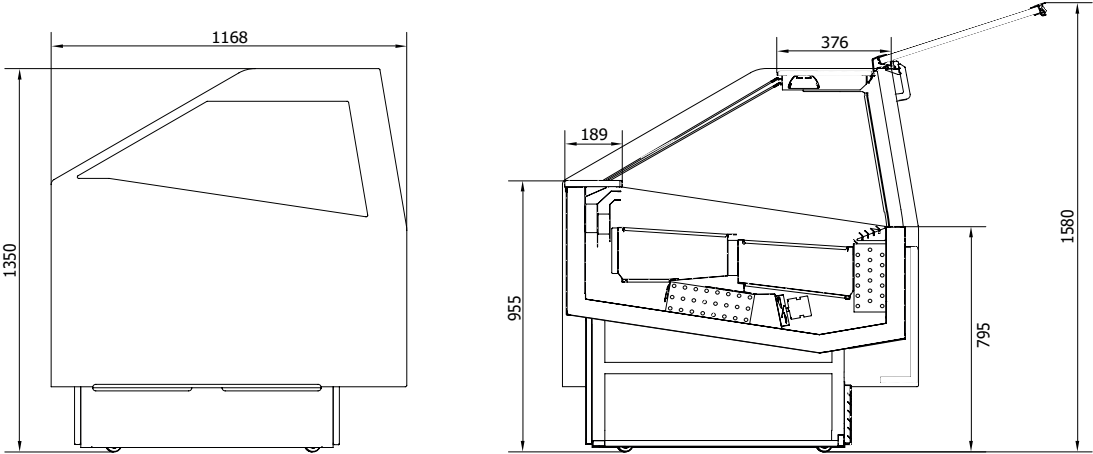
Features	Nirvana 12	Nirvana 18	Nirvana 24
Dimension mm	1217 x 1208 x 1207	1739 x 1208 x 1207	2261 x 1208 x 1207
Pan Capacity Lt	12 x 5 lt - 8 x 7 lt	18 x 5 lt - 12 x 7 lt	24 x 5 lt - 16 x 7 lt
Power Consumption (Standard) W	1850 W	2400 W	3300 W
Power Consumption (Defrost) W	2200 W	2800 W	5300 W
Refrigerant	R404a / R449a	R404a / R449a	R404a / R449a
Operation Temperature °C	-2 / -22 °C	-2 / -22 °C	-2 / -22 °C
Power Supply	400 V / 3 Ph / 50 Hz	400 V / 3 Ph / 50 Hz	400 V / 3 Ph / 50 Hz
Compressor Type	Semi-hermetic	Semi-hermetic	Semi-hermetic
Defrost	Automatic + Manual	Automatic + Manual	Automatic + Manual
Defrost Type	Hot Gas	Hot Gas	Hot Gas

- Available for cake display
- Cooling capacity is dependent on the ambient conditions
- Crystal is entitled to modify all parts without notice anytime if necessary



Imperial Series

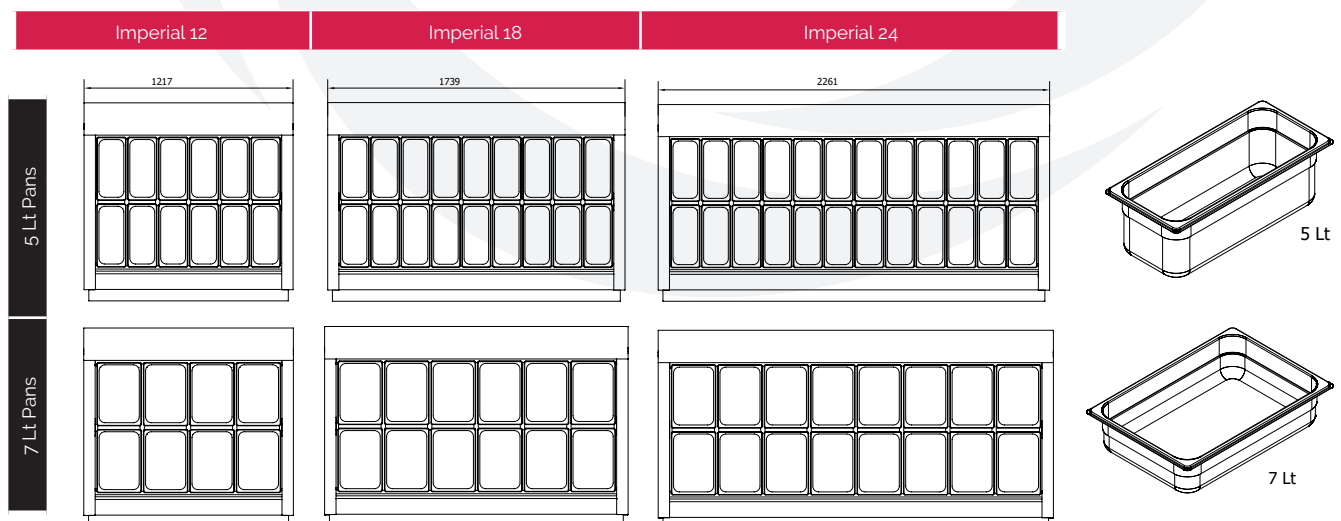
Imperial 12 | Imperial 18 | Imperial 24



- Gelato showcase with double ventilation available in 3 capacities
- Double evaporator and semi-hermetic compressor
- One-piece structure with ecological polyurethane insulation (HCFC & HFC free) with 60 mm thickness and 43 Kg/m³
- Electronic control board and digital thermometer
- Double glazed tempered glass with built-in resistance for high humidity condensation
- Higher visibility with tilt-up front access glazed glass via hydraulic pistons
- Energy efficiency with sliding plexiglas doors
- Interior and exterior LED illuminations
- Special components' drawer design for easy access and maintenance

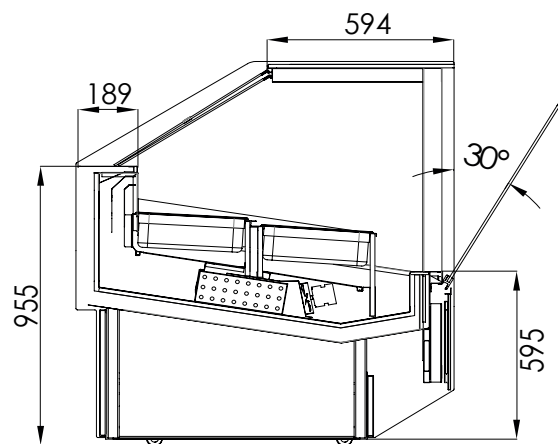
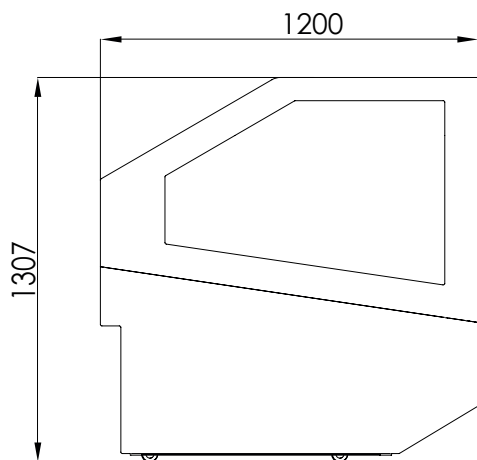
Features	Imperial 12	Imperial 18	Imperial 24
Dimension mm	1217 x 1168 x 1350	1739 x 1168 x 1350	2261 x 1168 x 1350
Pan Capacity Lt	12 x 5 lt - 8 x 7 lt	18 x 5 lt - 12 x 7 lt	24 x 5 lt - 16 x 7 lt
Power Consumption (Standard) W	1850 W	2400 W	3300 W
Power Consumption (Defrost) W	2200 W	2800 W	5300 W
Refrigerant	R404a / R449a	R404a / R449a	R404a / R449a
Operation Temperature °C	-2 / -22 °C	-2 / -22 °C	-2 / -22 °C
Power Supply	400 V / 3 Ph / 50 Hz	400 V / 3 Ph / 50 Hz	400 V / 3 Ph / 50 Hz
Compressor Type	Semi-hermetic	Semi-hermetic	Semi-hermetic
Defrost	Automatic + Manual	Automatic + Manual	Automatic + Manual
Defrost Type	Hot Gas	Hot Gas	Hot Gas

- Available for cake display
- Cooling capacity is dependent on the ambient conditions
- Crystal is entitled to modify all parts without notice anytime if necessary



Amara Series

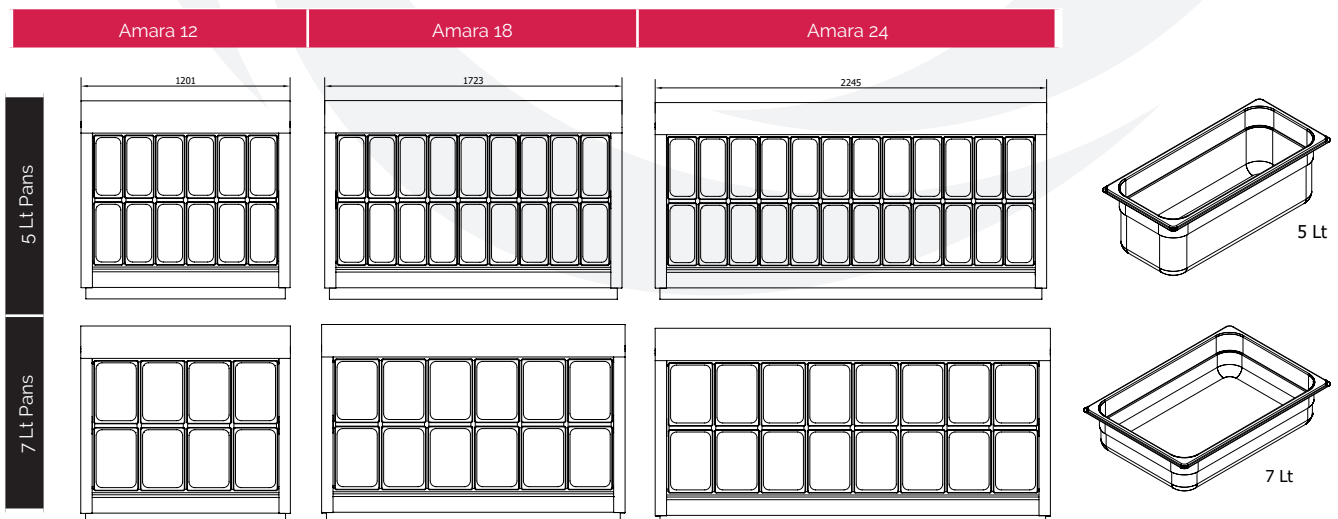
Amara 12 | Amara 18 | Amara 24



- Wide and deep range of view
- Semi-hermetic compressor and automatic defrosting feature
- One-piece structure with ecological polyurethane insulation (HCFC & HFC free) with 60 mm thickness and 43 Kg/m³
- Electronic control board and digital thermometer
- Double laminated glass with built-in resistance for high humidity condensation
- Tilt-down front access with glazed glass up to 30° angle for easy routine maintenance and cleaning procedure
- Energy efficiency with sliding plexiglas doors
- Interior and exterior LED illuminations
- Special components' drawer design for easy maintenance

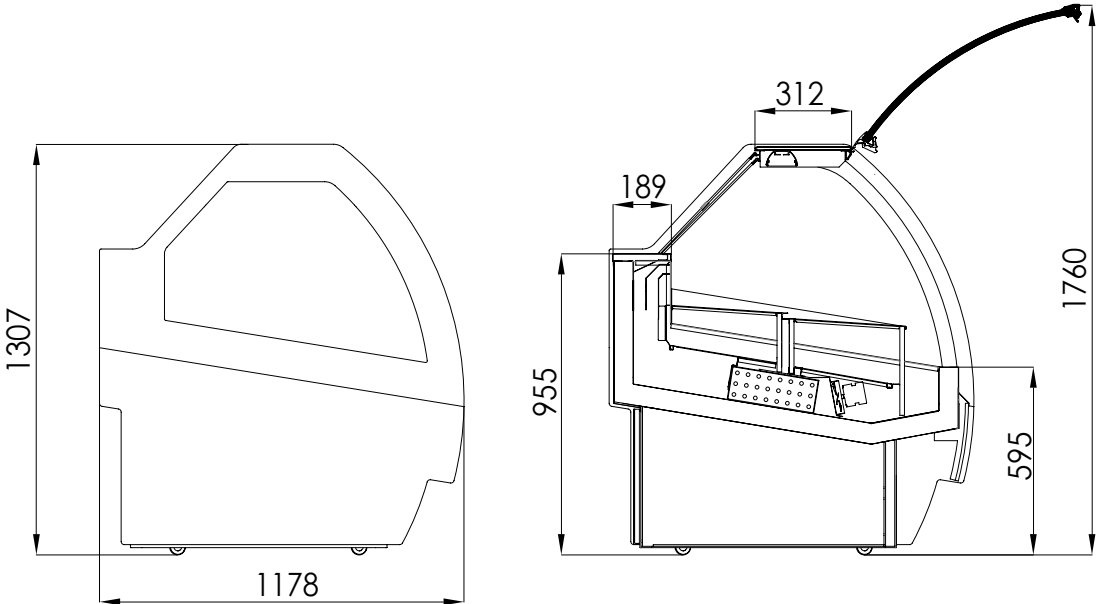
Features	Amara 12	Amara 18	Amara 24
Dimension mm	1201 x 1200 x 1307	1723 x 1200 x 1307	2245 x 1200 x 1307
Pan Capacity Lt	12 x 5 lt - 8 x 7 lt	18 x 5 lt - 12 x 7 lt	24 x 5 lt - 16 x 7 lt
Power Consumption (Standard) W	1850 W	2400 W	3300 W
Power Consumption (Defrost) W	2200 W	2800 W	5300 W
Refrigerant	R404a / R449a	R404a / R449a	R404a / R449a
Operation Temperature °C	-2 / -22 °C	-2 / -22 °C	-2 / -22 °C
Power Supply	400 V / 3 Ph / 50 Hz	400 V / 3 Ph / 50 Hz	400 V / 3 Ph / 50 Hz
Compressor Type	Semi-hermetic	Semi-hermetic	Semi-hermetic
Defrost	Automatic + Manual	Automatic + Manual	Automatic + Manual
Defrost Type	Hot Gas	Hot Gas	Hot Gas

- Available for cake display
- Cooling capacity is dependent on the ambient conditions
- Crystal is entitled to modify all parts without notice anytime if necessary



Prime Series

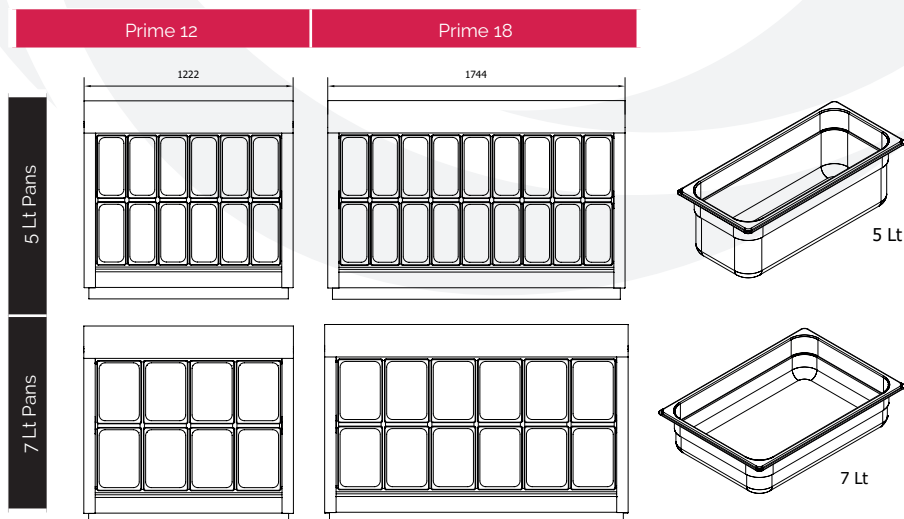
Prime 12 | Prime 18



- Wide and deep range of view
- Semi-hermetic compressor and automatic defrosting feature
- One-piece structure with ecological polyurethane insulation (HCFC & HFC free) with 60 mm thickness and 43 Kg/m³
- Electronic control board and digital thermometer
- Double glazed tempered curved glass with built-in resistance for high humidity condensation
- Tilt-up parabolic double glazed glass via hydraulic pistons
- Aesthetic design with curved front access for higher visibility
- Energy efficiency with sliding plexiglas doors
- Interior and exterior LED illuminations
- Special components' drawer design for easy access and maintenance

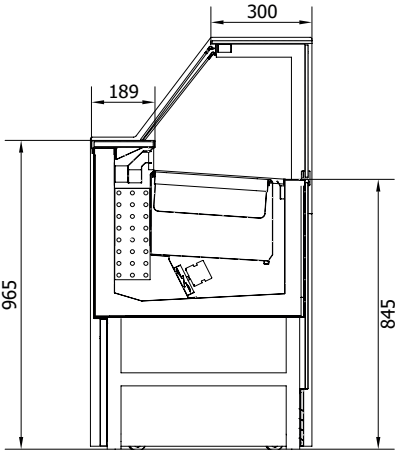
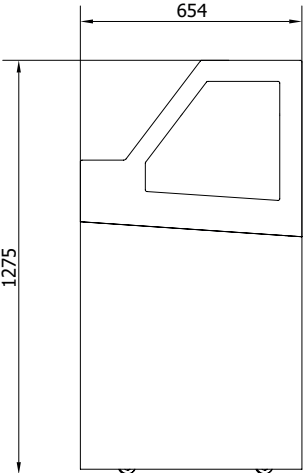
Features	Prime 12	Prime 18
Dimension mm	1222 x 1178 x 1307	1744 x 1178x 1307
Pan Capacity Lt	12 x 5 Lt - 8 x 7 Lt	18 x 5 Lt - 12 x 7 Lt
Power Consumption (Standard) W	1850 W	2400 W
Power Consumption (Defrost) W	2200 W	2800 W
Refrigerant	R404a / R449a	R404a / R449a
Operation Temperature °C	-2 / -22 °C	-2 / -22 °C
Power Supply	400 V / 3 Ph / 50 Hz	400 V / 3 Ph / 50 Hz
Compressor Type	Semi-hermetic	Semi-hermetic
Defrost	Automatic + Manual	Automatic + Manual
Defrost Type	Hot Gas	Hot Gas

- Available for cake display
- Cooling capacity is dependent on the ambient conditions
- Crystal is entitled to modify all parts without notice anytime if necessary



Slim Series

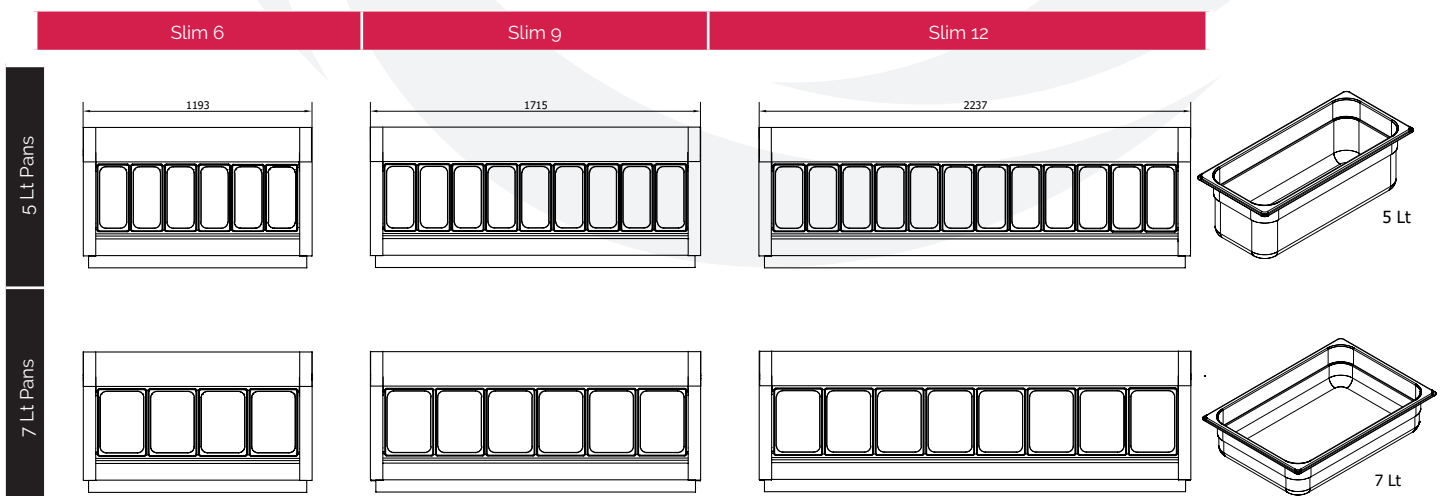
Slim 6 | Slim 9 | Slim 12



- Extra compact design with only 65 cm depth
- Ventilated gelato displays available in 3 capacities
- Automatic & manual defrosting features
- Electronic control board and digital thermometer
- One-piece structure with ecological polyurethane insulation (HCFC & HFC free) with 60 mm thickness and 43 Kg/m³
- Interior LED illuminations
- Energy efficiency with sliding plexiglas doors
- All sides glass with built-in resistance

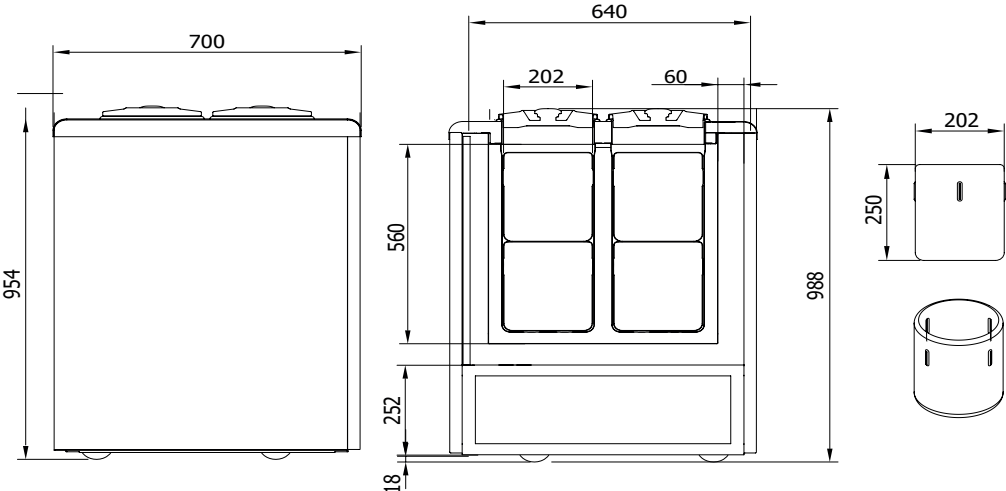
Features	Slim 6	Slim 9	Slim 12
Dimension mm	1193 x 654 x 1275	1715 x 654 x 1275	2237 x 654 x 1275
Pan Capacity Lt	6 x 5 lt - 4 x 7 lt	9 x 5 lt - 6 x 7 lt	12 x 5 lt - 8 x 7 lt
Power Consumption (Standard) W	1060 W	1440 W	1960 W
Power Consumption (Defrost) W	1550 W	2000 W	2540 W
Refrigerant	R404a / R452a	R404a / R452a	R404a / R452a
Operation Temperature °C	-2 / -22 °C	-2 / -22 °C	-2 / -22 °C
Power Supply	230 V / 1 Ph / 50-60 Hz	230 V / 1 Ph / 50-60 Hz	230 V / 1 Ph / 50-60 Hz
Compressor Type	Hermetic	Hermetic	Hermetic
Defrost	Automatic + Manual	Automatic + Manual	Automatic + Manual
Defrost Type	Hot Gas	Hot Gas	Hot Gas

- Cooling capacity is dependent on the ambient conditions
- Crystal is entitled to modify all parts without notice anytime if necessary



Marash

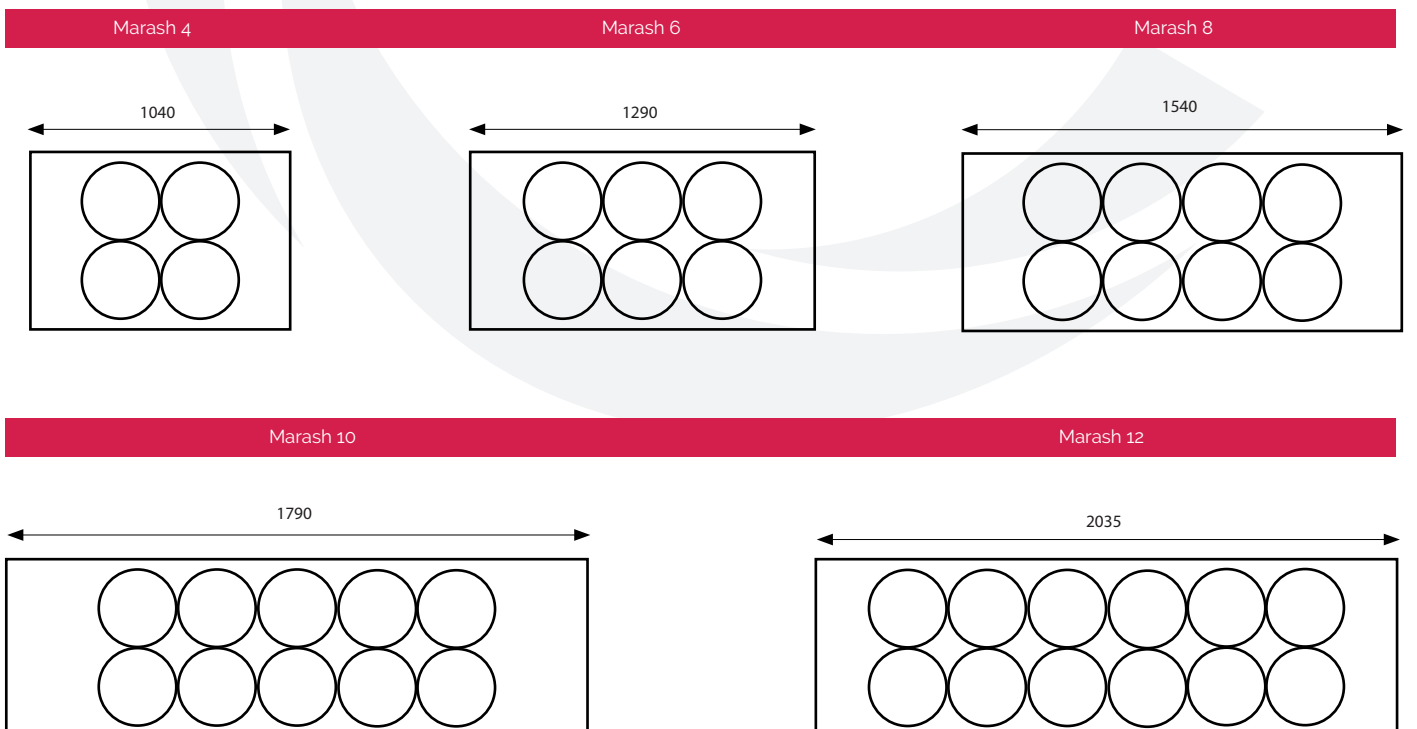
Marash - S | Marash - G



- Individual container temperature control (Available in Marash-S series)
- Double container storage space
- Corian surface and touch screen user interface
- Cooling with glycol circulation (Available in Marash-G series)
- One-piece structure with ecological polyurethane insulation (HCFC &HFC free) with 60 mm thickness and 43 Kg/m³
- Electronic control board and digital thermometer
- Aesthetic design available in 5 capacities

Features	Marash 4	Marash 6	Marash 8	Marash 10	Marash 12
Dimension mm	1040 x 700 x 954	1290 x 700 x 954	1540 x 700 x 954	1790 x 700 x 954	2035 x 700 x 954
Pan Capacity Lt	8 x 10 Containers	12 x 10 Containers	16 x 10 Containers	20 x 10 Containers	24 x 10 Containers
Power Consumption (Standard) W	1200 W	1200 W	1500 W	1500 W	1500 W
Refrigerant	R404 / R449	R404 / R449	R404 / R449	R404 / R449	R 404 / R 449
Operation Temperature °C	-2 / -22 °C	-2 / -22 °C	-2 / -22 °C	-2 / -22 °C	-2 / - 22
Power Supply	220 V / 1 Ph /50 Hz	220 V / 1 Ph /50 Hz	220 V / 1 Ph /50 Hz	220 V / 1 Ph /50 Hz	220 V / 1 Ph /50 Hz
Compressor Type	Hermetic	Hermetic	Hermetic	Hermetic	Hermetic
Cooling Type	Glycol / Serpentine	Glycol / Serpentine	Glycol / Serpentine	Glycol / Serpentine	Glycol / Serpentine

- Cooling capacity is dependent on the ambient conditions
- Crystal is entitled to modify all parts without notice anytime if necessary



По вопросам продаж и поддержки обращайтесь:

Алматы (7273)495-231	Казань (843)206-01-48	Новокузнецк (3843)20-46-81	Смоленск (4812)29-41-54
Архангельск (8182)63-90-72	Калининград (4012)72-03-81	Новосибирск (383)227-86-73	Сочи (862)225-72-31
Астрахань (8512)99-46-04	Калуга (4842)92-23-67	Омск (3812)21-46-40	Ставрополь (8652)20-65-13
Барнаул (3852)73-04-60	Кемерово (3842)65-04-62	Орел (4862)44-53-42	Сургут (3462)77-98-35
Белгород (4722)40-23-64	Киров (8332)68-02-04	Оренбург (3532)37-68-04	Тверь (4822)63-31-35
Брянск (4832)59-03-52	Краснодар (861)203-40-90	Пенза (8412)22-31-16	Томск (3822)98-41-53
Владивосток (423)249-28-31	Красноярск (391)204-63-61	Пермь (342)205-81-47	Тула (4872)74-02-29
Волгоград (844)278-03-48	Курск (4712)77-13-04	Ростов-на-Дону (863)308-18-15	Тюмень (3452)66-21-18
Вологда (8172)26-41-59	Липецк (4742)52-20-81	Рязань (4912)46-61-64	Ульяновск (8422)24-23-59
Воронеж (473)204-51-73	Магнитогорск (3519)55-03-13	Самара (846)206-03-16	Уфа (347)229-48-12
Екатеринбург (343)384-55-89	Москва (495)268-04-70	Санкт-Петербург (812)309-46-40	Хабаровск (4212)92-98-04
Иваново (4932)77-34-06	Мурманск (8152)59-64-93	Саратов (845)249-38-78	Челябинск (351)202-03-61
Ижевск (3412)26-03-58	Набережные Челны (8552)20-53-41	Севастополь (8692)22-31-93	Череповец (8202)49-02-64
Иркутск (395)279-98-46	Нижний Новгород (831)429-08-12	Симферополь (3652)67-13-56	Ярославль (4852)69-52-93
Россия (495)268-04-70	Киргизия (996)312-96-26-47	Казахстан (7172)727-132	

cti@nt-rt.ru || <https://crystal.nt-rt.ru/>